

GV-IP Speed Dome Indoor (GV-SD010)



- Provide 18X, 23X, 36X
- CIF and D1 resolution
- H.264, MPEG4 and MJPEG
- 2 way audio
- Digital In x 4, Digital Out x 1
- Preset speed up to 400°/sec
- Auto-Calibration
- Digital Image Flip
- Minimum illumination 0.01 Lux (B/W)
- Wide Dynamic Range

The GV-IP Speed Dome provides variable pan/tilt speeds ranging from a fast patrol of 400° per second to a slow ramble of 5° per second with 0.225° pan accuracy for fast and accurate tracking ability. The 360° endless rotation and -10°~190° tilt travel make tracking the object passing directly beneath the GV-IP Speed Dome. Maximum 64 preset points can be programmed for precise location of target areas, and users can also define 8 sequences, 4 auto-pan modes and 4 cruise routes for the Dome to operate automatically.

The GV-IP Speed Dome provides 4 alarm inputs and 1 alarm relay output, and the alarm management can be done through the network as well.

AVAILABLE MODELS

- GV-SD010-18X
- GV-SD010-23X
- GV-SD010-36X










SPECIFICATIONS

Models		GV-SD010-18X	GV-SD010-23X	GV-SD010-36X
Camera				
Image Sensor		1/4" Exview CCD	1/4" Progressive CCD	1/4" Exview CCD
Optical Zoom		18x	23x	36x
Digital Zoom		12x		
Effective Pixels	NTSC	380k		
	PAL	440k		
Horizontal Resolution	NTSC	530 TVL	540 TVL	530 TVL
	PAL	530 TVL	540 TVL	530 TVL
Scanning System		NTSC / PAL		
Synchronization Video		Internal / Line Lock		
Output S/N		1.0 Vp-p / 75 Ω, BNC		
Ratio		> 50 dB (AGC Off)		
Minimum Illumination		0.07 lux;0.01 lux (B/W)	0.1 lux;0.01 lux (B/W)	0.1 lux;0.01 lux (B/W)
Focal Length		4.1 ~ 73.8 mm	3.6 ~ 82.8 mm	3.4 ~ 122.4 mm
Focus Mode		Auto / Manual		
White Balance		Auto / Manual		
Iris Control		Auto / Manual		
Electronic Shutter	NTSC	1/1 ~ 1/10k s	1/2 ~ 1/30k s	1/1 ~ 1/10k s
	PAL	1/1 ~ 1/10k s	1/1.5 ~ 1/30k s	1/1 ~ 1/10k s
AGC Control		Auto / Manual		
Back Light Compensation		On / Off		
Video				
Video Codec		H.264, MPEG4, MJPEG		
Video Resolution	NTSC	720 x 480, 720 x 480 De-interlace, 360 x 240, 176 x 112		
	PAL	720 x 576, 720 x 576 De-interlace, 360 x 288, 176 x 144		
Frame Rate		30 fps (NTSC) / 25 fps (PAL) at D1		

Optional Accessories

Optional accessories can be ordered separately depending on the application requirements. Contact your dealer for more information.

Model Number	Name	Details
81-D7H03-ST1	Straight Tube (25 cm) 	Height: 250 mm / 9.8 in Diameter: 50 mm / 2 in Weight: 1 kg / 2.2 lb Supplied with rubber washer-8 x 1, pendent tube washer x 1, spring washer -8 x 1, waterproof rubber x 1, M8-12 screw x 1
81-D7H03-ST2	Straight Tube (50 cm) 	Height: 500 mm / 19.7 in Diameter: 50 mm / 2 in Weight: 1.8 kg / 4 lb Supplied with rubber washer-8 x 1, pendent tube washer x 1, spring washer -8 x 1, waterproof rubber x 1, M8-12 screw x 1
81-D7H03-WMP	Mini Pendent Mount 	Dimensions (L x W x D): 184 x 104 x 115.2 mm / 7.24 x 4.09 x 4.54 in Weight: 0.6 kg (1.2 lb) Supplied with rubber washer-8 x 1, pendent tube washer x 1, spring washer-8 x 1, M8-12 screw x 1.
81-D7H03-WSP	Standard Pendent Mount 	Dimensions (L x W x D): 348 x 104 x 138.6 mm / 13.7 x 4.1 x 5.5 in Weight: 1.5 kg / 3.3 lb Supplied with rubber washer-8 x 1, pendent tube washer x 1, spring washer-8 x 1, M8-12 screw x 1
81-D7H05-CST	Corner Plate Mount 	Dimensions (L x W x D): 222 x 204 x 117 mm / 8.7 x 8 x 4.6 in Weight: 2 kg / 4.4 lb Supplied with washer-8 x 4, spring washer x 4, M8-16 screw x 4, M8 nut x 4
81-D7H05-CTB	Corner Thin Box Mount 	Dimensions (L x W x D): 300 x 164 x 222 mm / 11.8 x 6.5 x 8.7 in Weight: 6.7 lb Supplied with washer x 4, M8-16 screw x 4, spring washer x 4 Power Box can be set inside the thin box.
81-D7H05-PTB	Pole Thin Box Mount 	Dimensions (L x W x D): 291 x 136 x 242 mm / 11.5 x 5.4 x 9.5 in Weight: 3.1 kg / 6.9 lb Supplied with M8-16 screw x 4, washer x 4, spring washer x 4, stainless steel straps x 4 Power Box can be set inside the thin box.

81-D7H05-PTD	Pole Thin Direct Mount	Dimensions (L x W x D): 232 x 136 x 60 mm / 9.1 x 5.4 x 2.4 in Diameter: 112~114 mm / 4.4 ~ 5.5 in Weight: 0.7 kg / 1.6 lb Supplied with stainless steel strap x 4, M8-16 screw x 4, washer x 4
		
81-D7H05-WBM	Wall Box Mount	Dimensions (L x W x D): 270 x 166 x 95 mm / 10.6 x 6.5 x 3.7 in Weight: 2.2 kg / 4.84 lb Supplied with M8-16 screw x 4, washer x 4, spring washer x 4 Power Box can be set inside the wall box.
		
81-D7H05-MK2 Indoor use only	Indoor Mount Kit	Height: 74 mm / 2.9 in Diameter: 140 mm / 5.5 in Weight: 0.3 kg / 0.7 lb Supplied with Waterproof Rubber, Hexagon Key, Lock Screw Plate, M5-8 screw x 1, M5-8 security screw x 1, M3-6 screw x 1
		
81-D7H06-HCM Indoor use only (see Note later)	Hard Ceiling Mount	Height: 21.4 mm / 0.84 in Diameter of the three holes: 4.5 mm / 0.17 in Diameter of the bracket: 158 mm / 6.22 in Supplied with Fixing Plate and Red Sticker
		
81-D7H06-TBC Indoor use only	T-Bar Ceiling Mount	Height: 160 mm / 6.3 in Diameter: 180 mm / 7.1 in Weight: 0.5 kg / 1.1 lb
		
81-DH701-S01 Indoor use only	5.4" Smoke Cover	Indoor use only Diameter: 137 mm / 5.4 in
		
81-DH801-S01 Outdoor use only	5.8" Smoke Cover	Diameter: 145 mm / 5.7 in
		
81-P1030-001 Outdoor use only	Power Box (Input: 110 -115V AC)	Dimensions (L x W): 185.5 x 147 mm / 7.3 x 5.8 in Weight: 2.6 kg / 5.8 lb Output: 24VAC 72VA
		
81-P2030-001 Outdoor use only	Power Box (Input: 220 -230V AC)	Dimensions (L x W): 185.5 x 147 mm / 7.3 x 5.8 in Weight: 2.6 kg / 5.8 lb Output: 24VAC 72VA
		

GV-IP Speed Dome Installation Methods

With the proper accessories, GV-IP Speed Dome can adapt to environment requirements to be installed differently. The table below lists a variety of installation methods and the optional accessories you need to purchase for different installation methods.

Installation Method	Optional Accessories Needed	
	Indoor Type	Outdoor Type
Ceiling Mount		
Surface Mount	Standard package is enough	N/A
Flush Mount	T-Bar Ceiling Mount	N/A
Straight Tube Mount	Straight Tube Indoor Mount Kit	Straight Tube
Wall Mount		
Standard Pendant Mount	Standard Pendant Mount Indoor Mount Kit	Standard Pendant Mount
Mini Pendant Mount	Mini Pendant Mount Indoor Mount Kit	Mini Pendant Mount
Wall Box Mount	Wall Box Mount Indoor Mount Kit Standard/Mini Pendant Mount	Wall Box Mount Standard/Mini Pendant Mount
Corner Mount		
Corner Plate Mount	Corner Plate Mount Indoor Mount Kit Standard/Mini Pendant Mount	Corner Plate Mount Standard/Mini Pendant Mount
Corner Thin Box Mount	Corner Thin Box Mount Indoor Mount Kit Standard/Mini Pendant Mount	Corner Thin Box Mount Standard/Mini Pendant Mount
Pole Mount		
Pole Thin Direct Mount	Pole Thin Direct Mount Indoor Mount Kit Standard/Mini Pendant Mount	Pole Thin Direct Mount Standard/Mini Pendant Mount
Pole Think Box Mount	Pole Think Box Mount Indoor Mount Kit Standard/Mini Pendant Mount	Pole Think Box Mount Standard/Mini Pendant Mount

Ceiling Mount Options

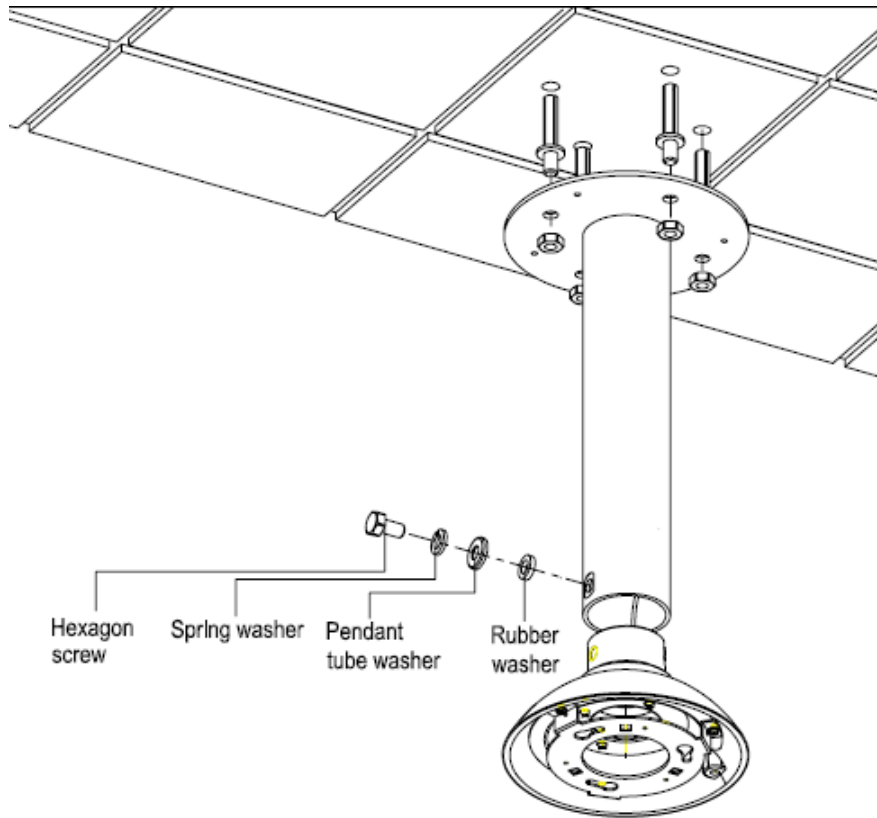
Surface Mount (Indoor Only)



Flush Mount (Indoor Only)

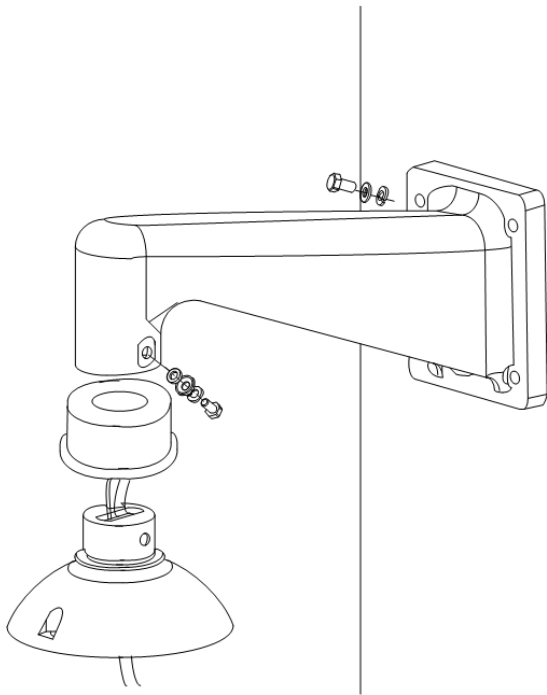


Straight Tube Mount

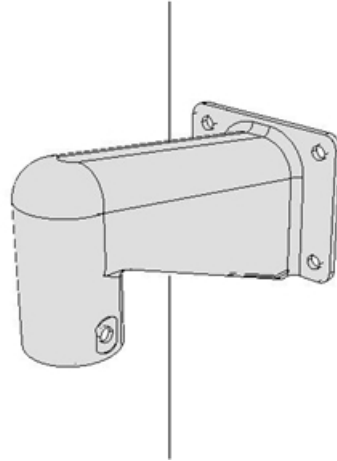


Wall Mount Options

Standard Pendant Mount

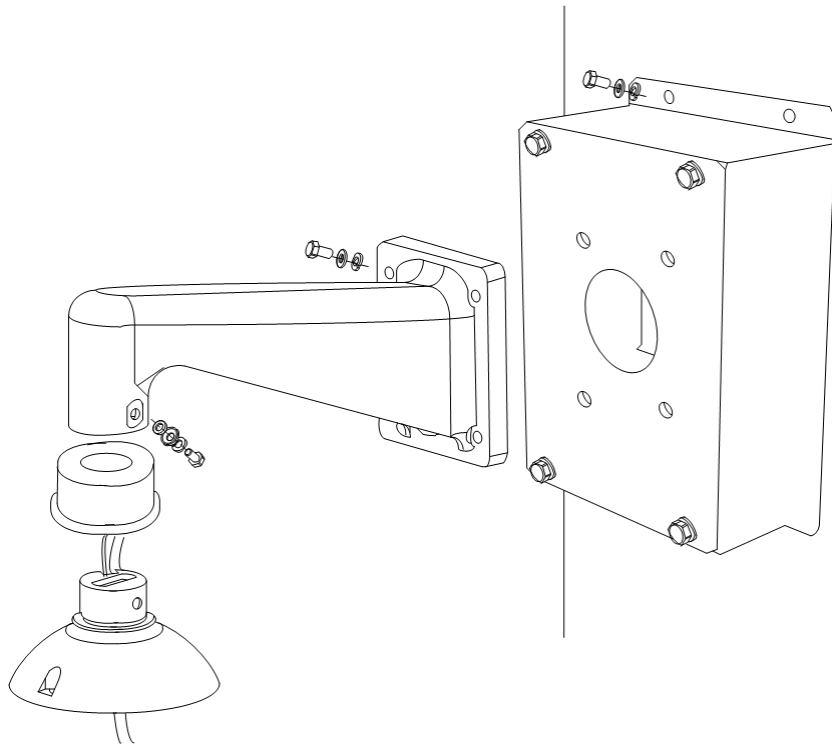


Mini Pendant Mount



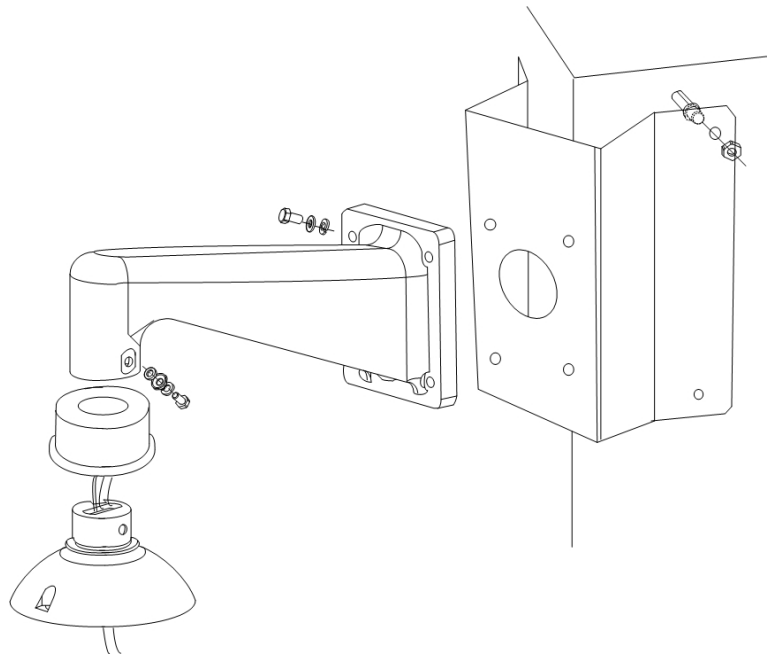
Wall Box Mount

The Power Box can be set inside the wall box.



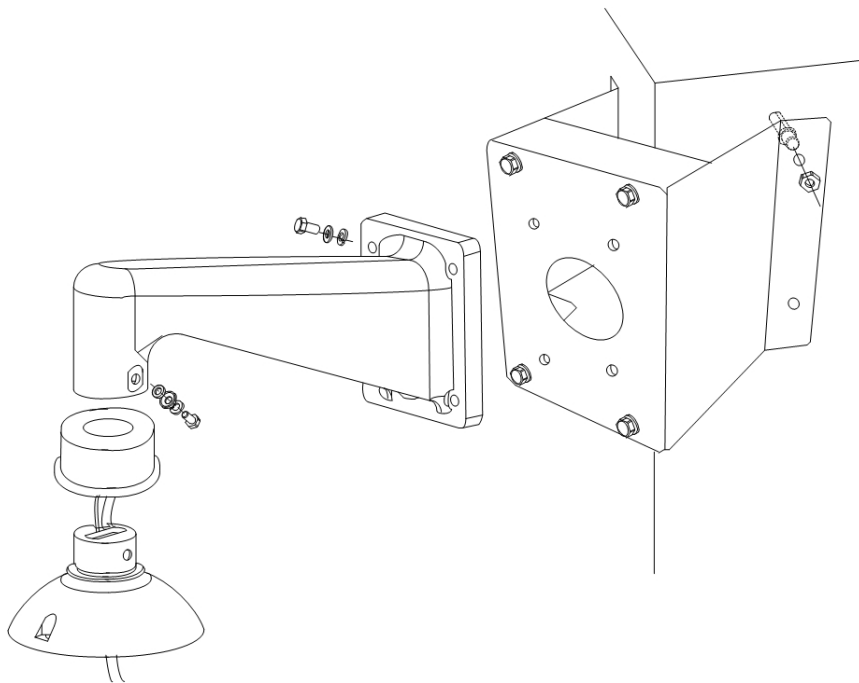
Corner Mount Options

Corner Standard Mount



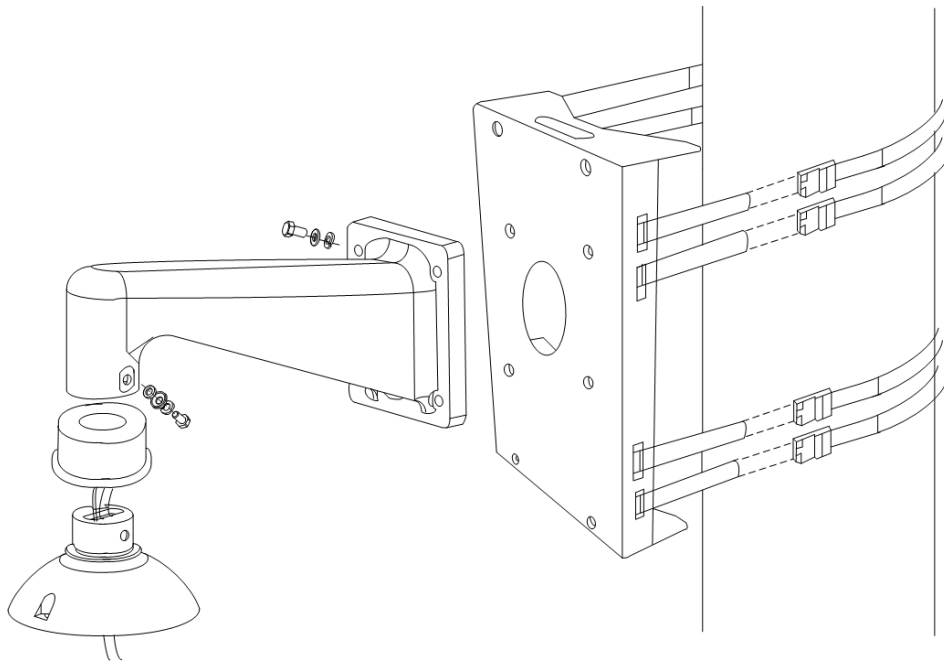
Corner Thin Box Mount

The Power Box can be set inside the thin box.



Pole Mount Options

Pole Thin Direct Mount



Pole Thin Box Mount

The Power Box can be set inside the thin box.

