

GV-600

There are two types of GV-600A Cards: BNC and D-Type. BNC-Type only provides four video channels; video and audio extension cards are required for extension. D-Type can provide up to 16 video channels and one audio channel together.

Minimum System Requirements

OS	32-bit	Windows XP / Windows Vista / Windows 7 / Windows Server 2008	
	64-bit	Windows 7 / Windows Server 2008	
CPU	GV-600A	Pentium 4	2.0 GHz
	GV-600A x 2	Pentium 4	2.6 GHz with Hyper-Threading
RAM	Windows XP	2 x 512 MB Dual Channels	
	Windows Vista / 7 / Server 2008	2 x 1 GB Dual Channels	
HDD	GV-600A	80 GB	
	GV-600A x 2	160 GB	
VGA	ATI Radeon X600 / NVIDIA 6200		
DirectX	9.0c		

Packing List

1. GV-600A Card x 1
2. Audio Extension Card x 1 **
3. 1-8 Cams with 4-Port Audio D-Type
4. 9-16 Cams D-Type Cable x 1 *
5. Hardware Watchdog Jumper
6. Software CD x 1
7. Feature Guide x 1
8. Installation Guide x 1

* Supplied with 10-16 Cams D-Type Video Capture Card

** Supplied with BNC Video Capture Card

Connecting One GV-600A Card

For the D-Type video capture card, plug the black video/audio cable into the black connector on the GV-600A Card; the blue video cable into the blue connector, as illustrated below.

Note: The GV-600A Card only supports one audio channel so that only one audio port can work in the supplied 1-8 Cams with 4-Port Audio D-Type cable.

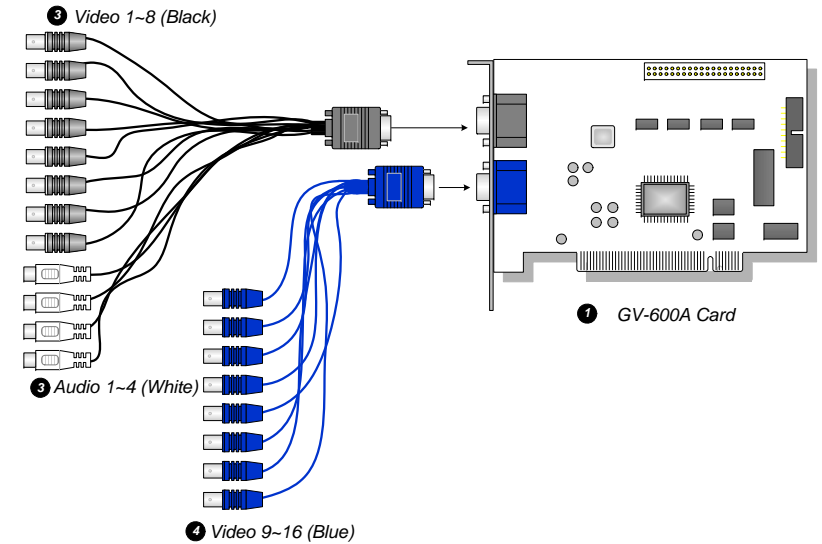


Figure 1-14 D-Type GV-600A Card connections

For the BNC-Type video capture card, plug the Audio Extension Card into No. 1 or No. 2 connector on the GV-600A Card, as illustrated below. Both connectors are okay for connection.

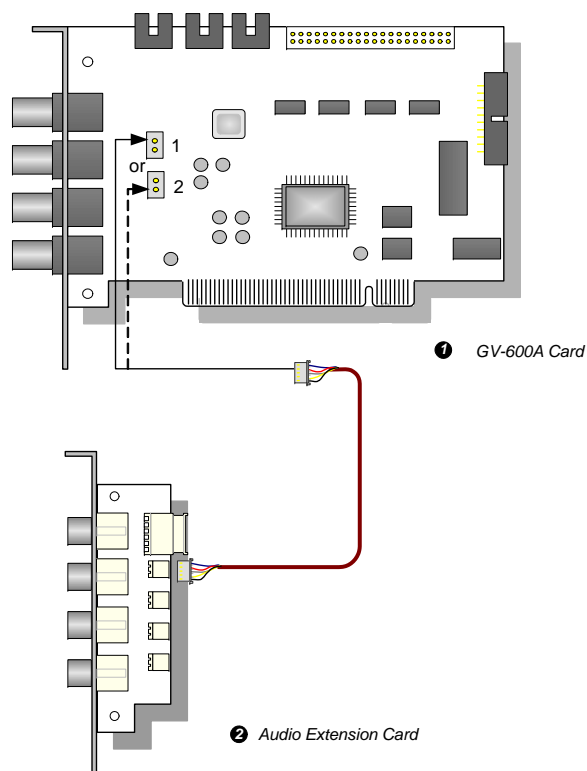


Figure 1-15 BNC-Type GV-600A Card connections

Connecting Two GV-600A/GV-650A/GV-800A Cards

You can install two GV-600A/GV-650A/GV-800A of the same model for up to 32 channels. Master Card is the card with 1-16 channels and Slave Card is that with 17-32 channels. Normally, the card attached to the lower PCI slot number will act as Master, and the card attached to the higher PCI slot number will act as Slave.

- **Two GV-600A Cards only support two audio channels:** Connect microphones to Audio 1 connector of the Master Card, and Audio 5 connector of the Slave Card.
- **Two GV-650A Cards only support four audio channels:** Connect microphones to Audio 1 and Audio 2 connectors of the Master Card, and Audio 5 and Audio 6 connectors of the Slave Card.
- **Hardware Watchdog Connection:** Connect the supplied Hardware Watchdog Jump Wire to the Master Card.
- **Accessory Card Connections:**
 - GV-NET/IO Card: Connect the card only to the Master Card.
 - GV-Loop Through Card: Connect the card for each video capture card.
 - GV-Multi Quad Card: Only connect one card to any of two video capture cards.

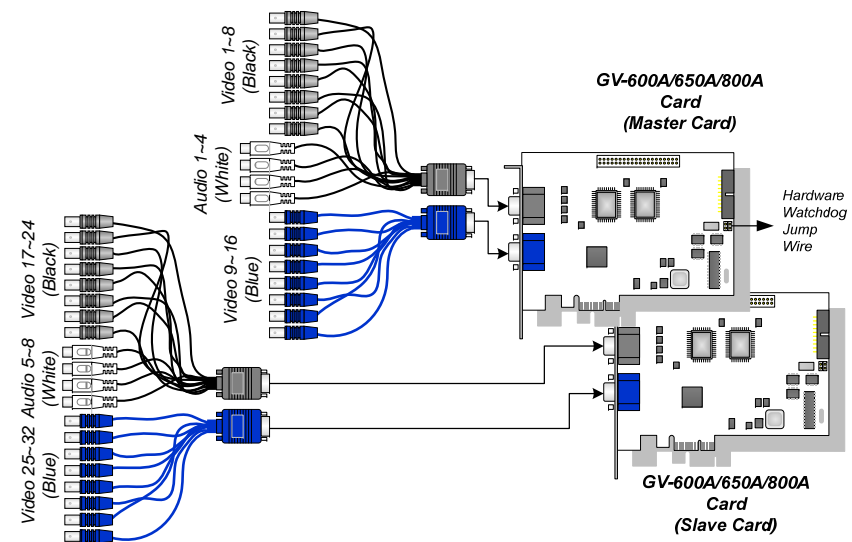


Figure 1-13

Specifications

GV-600A			
Input Type	BNC	BNC x 4	
	D-Type	DB15 x 2	
Video Input		1, 2, 4, 6, 8, 10, 12, 14, 16 Cams	
Audio Input		1 Channel	
Recording Rate	CIF	NTSC	30 fps
		PAL	25 fps
	D1	NTSC	15 fps
		PAL	12.5 fps
Display Rate	CIF	NTSC	30 fps
		PAL	25 fps
	D1	NTSC	15 fps
		PAL	12.5 fps
Video Resolution		NTSC	720 x 480, 720 x 480 De-interlace, 640 x 480, 640 x 480 De-interlace, 360 x 240, 320 x 240
		PAL	720 x 576, 720 x 576 De-interlace, 640 x 480, 640 x 480 De-interlace, 360 x 288, 320 x 240
Compression Format		Geo MPEG4, Geo MPEG4 (ASP), Geo H264, Geo H264 V2	
GV-NET/IO Card Support		Yes	
Dimensions (W x H)		144 x 89 (mm) / 5.67 x 3.50 (in)	