

Installing Two GV-Combo Cards (GV-1120, GV-1240, GV-1480)

You can install two video capture cards of the same model for a total of 32 channels. For example, 2 x GV-1480 Cards (16 channels) = 32 channels.

You can also implement two video capture cards of different channels. For example, GV-1120 Card (8 channels) + GV-1120 Card (12 channels) = 20 channels.

Packing List (D-Type PCI and PCI-E)

- ❶ GV-1120/1240/1480 Combo Card x 2
- ❷ Audio Extension Card x 1
- ❸ 1-8 D-Type Video Cable x 1
- ❹ 9-16 D-Type Video Cable x 1
- ❺ 17-24 D-Type Video Cable x 1
- ❻ 25-32 D-Type Video Cable x 1
- ❼ 1-8 D-Type Audio Cable x 1
- ❽ 9-16 D-Type Audio Cable x 1
- ❾ 17-24 D-Type Audio Cable x 1
- ❿ 25-32 D-Type Audio Cable x 1
- ⓫ Internal Power Y Cable x 2 (ONLY supplied with D-Type PCI-E Card)
- ⓬ Hardware Watchdog Jumper Wire x 1
- ⓭ Software DVD x 1
- ⓮ Feature Guide x 1
- ⓯ Installation Guide x 1

Packing List (DVI Type PCI)

- ❶ GV-1120/1240/1480 Combo Card x 2
- ❷ 1-16 DVI Video plus TV Out Cable x 1
- ❸ 17-32 DVI Video plus TV Out Cable x 1
- ❹ 1-16 DVI Audio Cable x 1
- ❺ 17-32 DVI Audio Cable x 1
- ❻ Hardware Watchdog Jumper Wire x 1
- ❼ Software DVD x 1
- ❽ Feature Guide x 1
- ❾ Installation Guide x 1

Rules to Use Two Cards

GV Video Capture Cards have two interface types: PCI and PCI Express (PCI-E). When you install two video capture cards, ensure they are installed in the right slots as instructed in the following tables.

Card Combination	V1.02/V2.00 and later	Combo A Cards (GV-1120A/GV-1240A/GV-1480A)
V1.02/V2.00 and later	PCI-E x 2	X
	PCI x 1+ PCI-E x 1	
Combo A Cards (GV-1120A/GV-1240A/GV-1480A)	X	PCI-E x 2

- V1.02/V2.00 (and later) and Combo A Cards all support two-card mode, but the combination of V1.02/V2.00 (and later) and Combo A Cards does not support two-card mode.
- When you install two V1.02/V2.00 (and later) Cards, it is required to use two PCI Express slots or the combination of PCI and PCI Express slots.
- When you install two Combo A Cards, it is required to use only two PCI Express slots.

Note: PCI-E GV-Combo Card has x1 interface which can be inserted into the PCI Express x1, x4, x8 or x16 slot.

Connections

Here we use two D-Type PCI-E GV-Combo Cards as example.

1. Master and Slave Cards

Master Card is the GV Video Capture Card with 1-16 channels and Slave Card is the one with 17-32 channels. Normally, the card attached to the lower PCI slot number will act as Master, and the card attached to the higher PCI slot number will act as Slave.

2. For the user of D-Type PCI-E GV-Combo Cards

The two Combo Cards only work when they connect to PC power supply with the supplied Internal Power Y Cables.

3. TV Output Connection

The RCA connector in the Master Card is for displaying 1-16 channels, and the one in the Slave Card is for displaying 17-32 channels.

4. Hardware Watchdog Connection

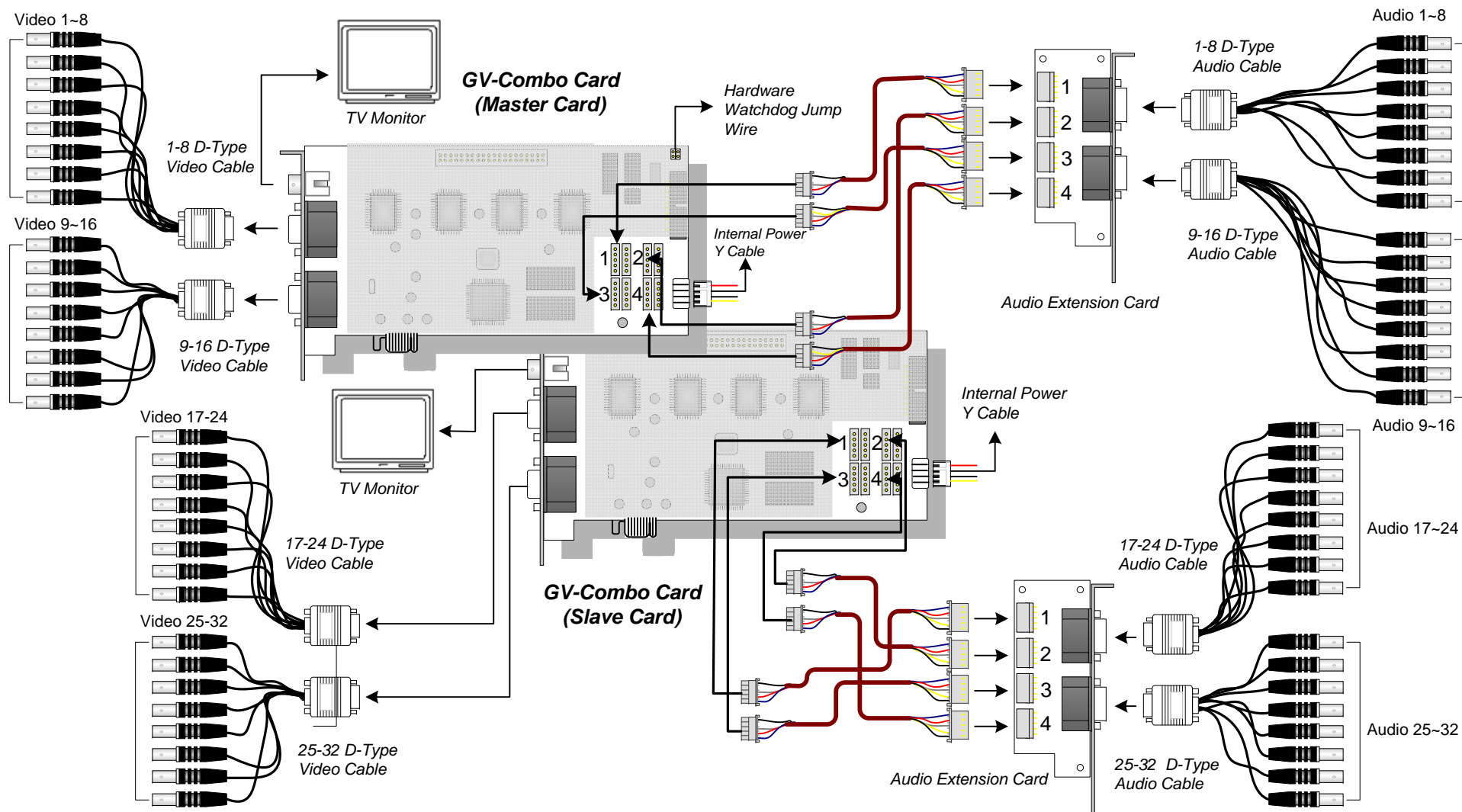
Connect the supplied Hardware Watchdog Jump Wire to the Master Card.

5. Accessory Card Connections

GV-NET/IO Card: Connect the card only to the Master Card.

GV-Loop Through Card: Connect the card for each Combo Card.

GV-Multi Quad Card: Only connect one card to any of two Combo Cards.



Specifications

		GV-1120 x 2	GV-1240 x 2	GV-1480 x 2	
Input Type		D-Type / DVI-Type			
Video Input		16, 20, 24, 28, 32	16, 24, 32	32	
TV Output		RCA connector x 2			
Total Recording Rate	CIF	NTSC	240 fps	480 fps	960 fps
		PAL	200 fps	400 fps	800 fps
	D1	NTSC	160 fps	240 fps	240 fps
		PAL	140 fps	200 fps	200 fps
Display Rate	CIF	NTSC	960 fps	960 fps	960 fps
		PAL	800 fps	800 fps	800 fps
	D1	NTSC	960 fps	960 fps	960 fps
		PAL	800 fps	800 fps	800 fps
Video Codec		Geo MPEG4, Geo MPEG4 (ASP), Geo H264, Geo H264 V2			
Video Resolution		NTSC	720 x 480, 720 x 480 De-interlace, 640 x 480, 640 x 480 De-interlace, 360 x 240, 320 x 240		
		PAL	720 x 576, 720 x 576 De-interlace, 640 x 480, 640 x 480 De-interlace, 360 x 288, 320 x 240		
Audio Input		16, 20, 24, 28, 32	16, 24, 32	32	
GV-Multi Quad Card Support		○	○	○	
GV-Loop Through Card		○	○	○	
GV-NET/IO Card Support		○	○	○	

Minimum System Requirements

	GV-1120 x 2	GV-1240 x 2	GV-1480 x 2
OS	Windows 2000 / XP / Server 2003 / Vista		
Direct X	9.0c		
CPU	Pentium 4-3.0 GHz, Dual Core	Core 2 Duo, 2.53 GHz	Core 2 Duo, 2.53 GHz
RAM	2 x 1 GB Dual Channels		
HDD	160 GB	250 GB	500 GB
VGA	ATI Radeon X1300 PCI-E / NVIDIA GeForce 7300 PCI-E		

Note:

1. The hard disk space required to install GV-System must be at least 1GB.
2. Currently GV Video Capture Cards are not compatible with VIA-series and ATI-series chipset motherboards, and 64-bit Windows operating system.