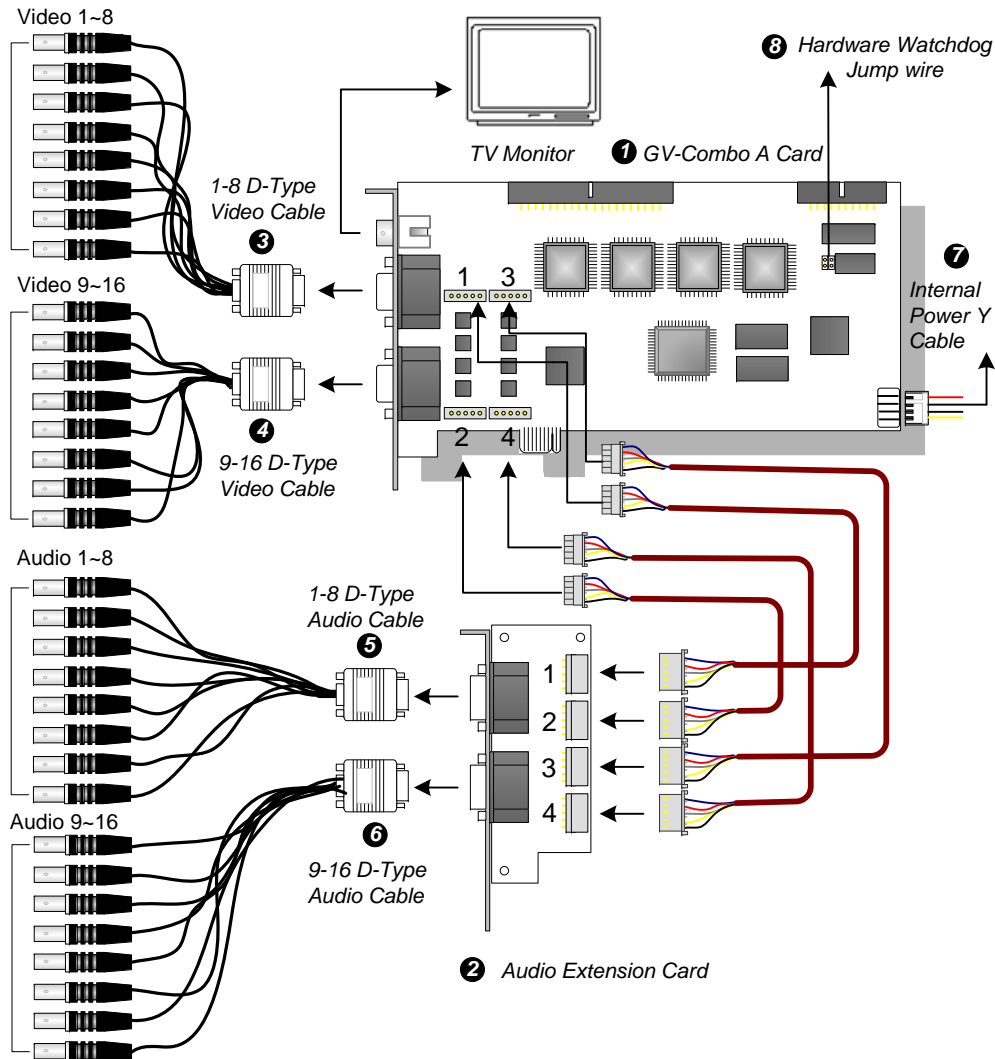


# GV-Combo A Card (D-Type PCI-E)

GV-Combo A Card (D-Type PCI-E) provides a "single card solution" for video/audio recording and real-time display.



## Packing List

- |                               |                                     |                          |
|-------------------------------|-------------------------------------|--------------------------|
| ① GV-Combo A Card x 1         | ⑤ 1-8 D-Type Audio Cable x 1        | ⑨ Software DVD x 1       |
| ② Audio Extension Card x 1    | ⑥ 9-16 D-Type Audio Cable x 1       | ⑩ Feature Guide x 1      |
| ③ 1-8 D-Type Video Cable x 1  | ⑦ Internal Power Y Cable x 1        | ⑪ Installation Guide x 1 |
| ④ 9-16 D-Type Video Cable x 1 | ⑧ Hardware Watchdog Jumper Wire x 1 |                          |

## Specifications

		GV-1120A	GV-1240A	GV-1480A	
Interface Type		PCI-E			
Input Type		DB15 x 2 (Video), DB9 x 2 (Audio)			
Video Type		8, 12, 16 Cams	8, 16 Cams	16 Cams	
Audio Type		8, 12, 16 Channels	8, 16 Channels	16 Channels	
TV Output		RCA Connector x 1			
Recording Rate	CIF	NTSC	120 fps	240 fps	480 fps
		PAL	100 fps	200 fps	400 fps
	D1	NTSC	80 fps	120 fps	240 fps
		PAL	72 fps	100 fps	200 fps
Display Rate	CIF	NTSC	480 fps		
		PAL	400 fps		
	D1	NTSC	480 fps		
		PAL	400 fps		
Video Resolution		NTSC	720x480, 720x480 De-interlace, 640x480, 640x480 De-interlace, 360x240, 320x240		
		PAL	720x576, 720x576 De-interlace, 640x480, 640x480 De-interlace, 360x288, 320x240		
Compression Format		Geo MPEG4, Geo MPEG4 (ASP), Geo H264, Geo H264 V2			
GV-Multi Quad Card Support		Yes			
GV-Loop Through Card Support		Yes			
GV-NET/IO Card Support		Yes			
Dimensions		187.7 x 117.1 (mm) / 7.38 x 4.61 (in)			

## Minimum System Requirements

OS Supported	Windows 2000 / Windows XP / Windows Server 2003 / Windows Vista	
CPU	GV-1480A	Core 2 Duo-3.0 GHz
	GV-1240A	Pentium 4-3.0 GHz Dual Core
	GV-1120A	Pentium 4-3.0 GHz with Hyper-Threading
RAM	2 x 512 MB Dual Channels (Windows 2000 / XP)	
	2 x 1 GB Dual Channels (Windows Server 2003 / Vista)	
HDD	GV-1480A	250 GB
	GV-1240A	120 GB
	GV-1120A	80 GB
VGA	ATI Radeon X1300 / NVIDIA GeForce 7300 PCI-E	
DirectX	9.0c	

### Note:

1. The hard disk space required to install GV-System must be at least 1 GB.
2. Currently GV Video Capture Cards are not compatible with:  
VIA-series and ATI-series chipset motherboards, 64-bit Windows operating system.
3. The recording rate is set to 320 x 240 resolution by default.
4. The PCI-E GV-Combo A Card has x1 interface, which can be inserted into the PCI Express x1, x4, x8 or x16 slot.
5. This card only works when it connects to PC power supply.

## Turbo Mode

Turbo mode allows recording at the highest speed that GV-Combo A Card can provide at the VGA and D1 resolutions.

### Total Recording Rate (NTSC/PAL)

	GV-1120A	GV-1240A	GV-1480A
VGA	80 / 72 fps	120 / 100 fps	240 / 200 fps
D1	80 / 72 fps	120 / 100 fps	240 / 200 fps
Turbo VGA	120 / 100 fps	240 / 200 fps	416 / 400 fps
Turbo D1	120 / 100 fps	240 / 200 fps	352 / 320 fps

### Minimum System Requirements

CPU	GV-1480A	Core 2 Quad-2.4 GHz
	GV-1240A	Core 2 Duo-3.0 GHz
	GV-1120A	Pentium 4-3.0 GHz Dual Core
RAM	2 x 512 MB Dual Channels (Windows 2000 / XP)	
	2 x 1 GB Dual Channels (Windows Server 2003 / Vista)	

**Note:** When Turbo Mode is activated, the DSP (Real-Time Display) and TV-Out functions will be disabled.

### Activating Turbo Mode

1. Click **Configure**, select **A/V Setting** and select **Video Source**. The Video Source dialog box appears.
2. Use the drop-down list to select the Video Resolution. If D1 or VGA resolution is selected, the **Turbo Mode** option will appear.
3. Select **Turbo mode**, and click **OK**.
4. You will be prompted to restart the GV-System. Restart the GV-System to take effect.