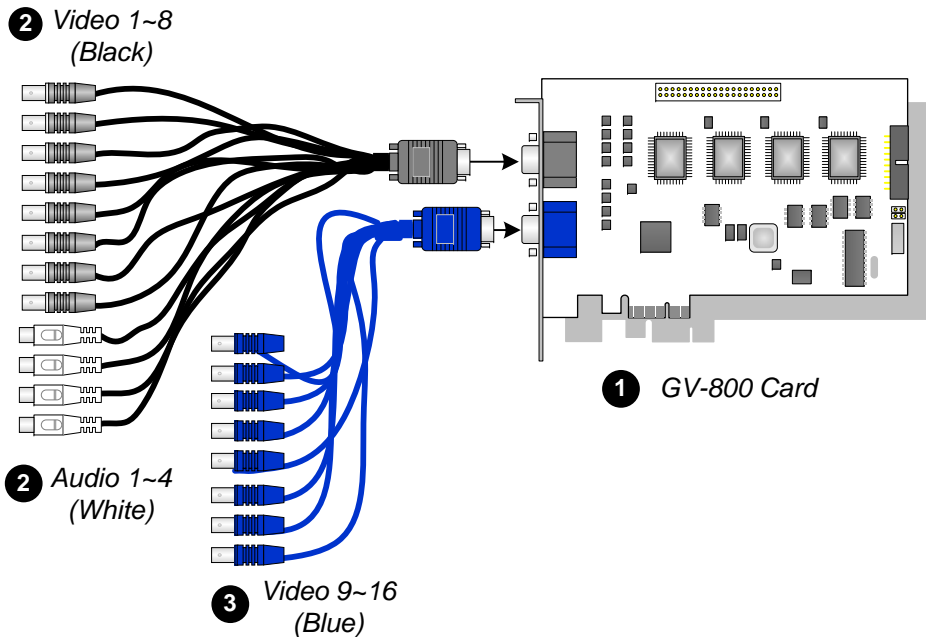


GV-800 Card (PCI-E)

The GV-800 Card (PCI-E) provides up to 16 video channels and 4 audio channels, recording up to 120/100 fps (NTSC/PAL).

Packing List

- ❶ GV-800 Card x 1
- ❷ 1-8 Cam with 4-Port Audio D-Type Cable x 1
- ❸ 9-16 Cam D-Type Cable x 1 (*Supplied with Video Capture Card of 12-16 Cams)
- ❹ Hardware Watchdog Jumper Wire x 1
- ❺ Software DVD x 1
- ❻ Installation Guide x 1



Specifications

Input Type	D-Type	DB15 x 2	
Video Input	4, 8, 12, 16 Cams		
Audio Input	4 Channels		
Recording Rate	CIF	NTSC	120 fps
		PAL	100 fps
	D1	NTSC	60 fps
		PAL	50 fps
Display Rate	CIF	NTSC	120 fps
		PAL	100 fps
	D1	NTSC	60 fps
		PAL	50 fps
Video Resolution	NTSC	720 x 480, 720 x 480 De-interlace, 640 x 480, 640 x 480 De-interlace, 360 x 240, 320 x 240	
	PAL	720 x 576, 720 x 576 De-interlace, 640 x 480, 640 x 480 De-interlace, 360 x 288, 320 x 240	
Compression Format	Geo MPEG4, Geo MPEG4 (ASP), Geo H264, Geo H264 V2		
GV-A16 Support	Yes		
GV-NET/IO Card Support	Yes		
Dimensions (W x H)	174 x 98 (mm) / 6.85 x 3.86 (in)		

Minimum System Requirements

OS Supported	Windows 2000 / Windows XP / Windows Server 2003 / Vista
CPU	Pentium 4-3.0 GHz with Hyper-Threading
RAM	2 x 512 MB Dual Channels (Windows 2000 / XP) 2 x 1 GB Dual Channels (Windows Server 2003 / Vista)
HDD	80 GB
VGA	ATI Radeon X600 / NVIDIA 6200
DirectX	9.0c

Note:

1. The hard disk space required to install GV-System must be at least 1 GB.
2. Currently GV-Video Capture Cards are not compatible with VIA-series and ATI-series chipset motherboards, and 64-bit Windows operating system.
3. GV-800 Card (PCI-E) has x 1 interface, which can be inserted into the PCI Express x1, x4, x8 or x16 slot.
4. To install two GV-800 Cards, be sure one of them must have PCI-E interface.